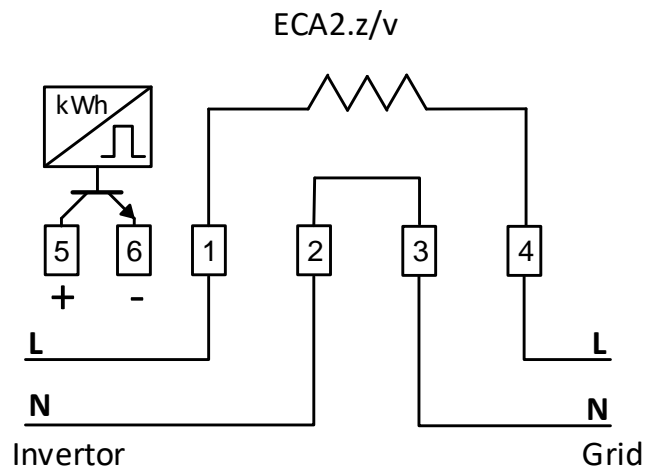


## Em-lite ECA2.NZ and ECA.NV

### Notice for Installers.

Due to legacy issues with early meters installed for Feed in Tariff (Fit) claims meters were traditionally installed with the inverter connected to the incoming side of the meter with the outgoing side returning to the grid via a consumer unit. **See fig 1 below:**



### Installing the ECA2.NZ or ECA.NV for co-location of battery storage.

Ofgem's draft guidance has been written to give a very specific set of calculations on how to determine the net energy figure. To enable the ECA2.NZ and NV meter to record the net reading correctly you will need to wire the meter slightly differently as shown in **fig 2 below**

